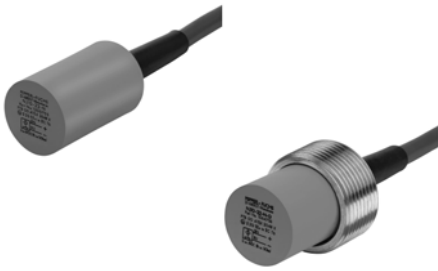


1
.1.1



Proximity Sensors, Inductive Sensors, cylindrical

Technical Data

For detailed data and product description refer to the data sheets at www.pepperl-fuchs.com

General Data

Switching element function	NAMUR, NC
Nominal voltage	8.2 V (R _i approx. 1 kΩ)
Current consumption	
Measuring plate not detected	≥ 3 mA
Measuring plate detected	≤ 1 mA
Switching frequency	0 ... 2000 Hz
Ambient temperature	-25 ... 100 °C (-13 ... 212 °F)
Protection degree	IP68
Connection type	cable PVC , 2 m



Properties

- Ø22 mm smooth and threaded housing versions
- 6 mm flush and 8 mm non-flush mountable versions
- DC, NAMUR interface
- Cable version

Your Benefit

- ATEX approved sensors applicable up to zone 1 and zone 20
- Usable up to SIL2 acc. to IEC 61508

Model Number

		NJ6-22-N	NJ6-22-N-G	NJ10-22-N	NJ10-22-N-G
Rated operating distance	10 mm				
	6 mm	●	●		
Installation	flush	●	●		
	non-flush			●	●
Housing material	Stainless steel 1.4305 / AISI 303		●		●
	PBT	●		●	

Use in the Hazardous Area

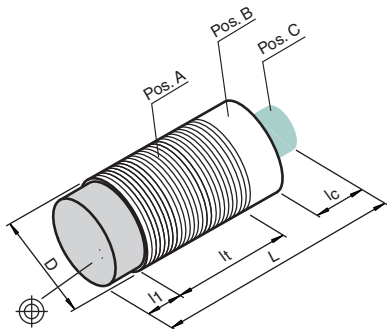
		NJ6-22-N	NJ6-22-N-G	NJ10-22-N	NJ10-22-N-G
Use in the hazardous area	see instruction manuals	●	●	●	●
Category	2G			●	
	2G; 1D				●
	2G; 3G	●			
	2G; 3G; 3D		●		

Approvals and Certificates

		NJ6-22-N	NJ6-22-N-G	NJ10-22-N	NJ10-22-N-G
Control drawing	116-0165F	●		●	
UL approval	cULus Listed, General Purpose	●	●	●	●
CSA approval	cCSAus Listed, General Purpose	●	●	●	●
CCC approval	Products with a maximum operating voltage of ≤36 V do not bear a CCC marking because they do not require approval.				

Dimensions

	35			
Length L [mm]	35			
Diameter D [mm]	22	28.3	22	28.3
Thread length l _t [mm]	0	35	0	15
Cap length l ₁ [mm]	0			
Connector area l _c [mm]	0			
LED position	-			



Electrical Connection



NJ10-22-N
NJ10-22-N-G
NJ6-22-N
NJ6-22-N-G

